



SCHEMA TECNICA TECHNICAL DATA SHEET

CODE 045.DM

Rev. 00

Date 07.07.2022

DRAINS

SC-MFD

SCARICATORI

Model

Modello

SC-MFD 6 SC-MFD 60 SC-MFD 300

Compressor Capacity max(m3/h)

Portata compressore max(m3/h)

600 6000 30000

Dryer Capacity max(m3/h)

Portata essiccatore max (m3/h)

1200 12000 60000

Drain Capacity max (l/h)

Portata di scarico max (l/h)

145 1062 4800

Min./Max. Operating pressure (bar)

Min./Max. Pressione (bar)

0/16 0/16 0/16

Min./Max. Air temperature (°C)

Min./Max. Temperatura aria (°C)

1/50 1/50 1/50

Min./Max. Ambient temperature (°C)

Min./Max. Temperatura ambiente (°C)

1/50 1/50 1/50

Inlet connection (")

Connessione ingresso (")

1/2 1/2 3/4

Outlet connection (")

Connessione uscita (")

1/8 1/4 3/4

Power supply (V/Ph/Hz) std

- - -

Power supply (V/Ph/Hz) optionals

- - -

IP class

Classe IP

IP68 IP68 IP68

Weight (kg)

Peso (kg)

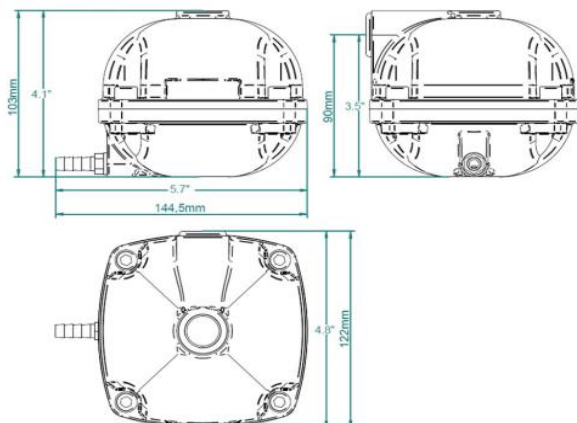
1,10 1,50 2,48

Code

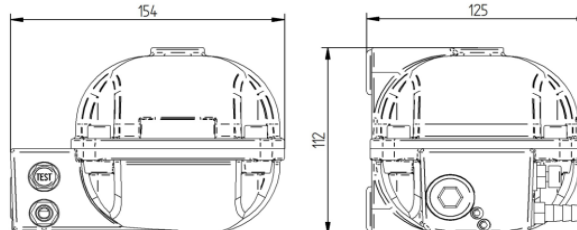
Codice

045.DM06.G 045.DM60.G 045.DM30.G

SC-MFD 6



SC-MFD 60



SC-MFD 300

