



SCHEMA TECNICA TECHNICAL DATA SHEET

CODE 045.DT10.G

Rev. 00

Date 07.07.2022

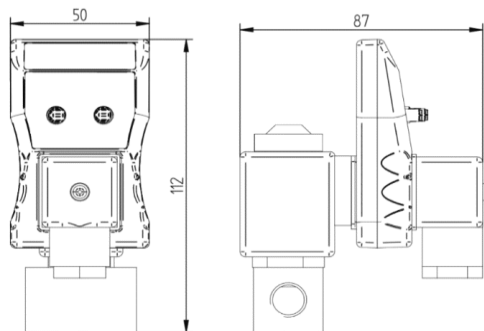
DRAINS

SC-TIMED, SC-TIMED COMBO

SCARICATORI

Model	SC-TIMED		SC-TIMED COMBO
Modello			
Compressor Capacity (m3/h) Portata compressore (m3/h)	-	-	-
Dryer Capacity (m3/h) Portata essiccatore (m3/h)	-	-	-
Min./Max. Operating pressure (bar) Min./Max. Pressione (bar)	0/16	0/16	0/16
Min./Max. Air temperature (°C) Min./Max. Temperatura aria (°C)	1/55	1/55	1/55
Min./Max. Ambient temperature (°C) Min./Max. Temperatura (°C)	1/55	1/55	1/55
Inlet connection (") Connessione ingresso (")	3/8	1/2	1/4
Outlet connection (") Connessione uscita (")	3/8	1/2	1/4
Power supply (V/Ph/Hz) std	230/1/50-60	230/1/50-60	230/1/50-60
Power supply (V/Ph/Hz) optionals	115/1/60	115/1/60	115/1/60
IP class Classe IP	IP65	IP65	IP65
Alarm Allarme	-	-	-
Weight (kg) Peso (kg)	0,40	0,58	0,58
Code Codice	045.DT10.G.21	045.DT10.G.31	045.DT10.G.11

SC-TIMED



SC-TIMED COMBO

